

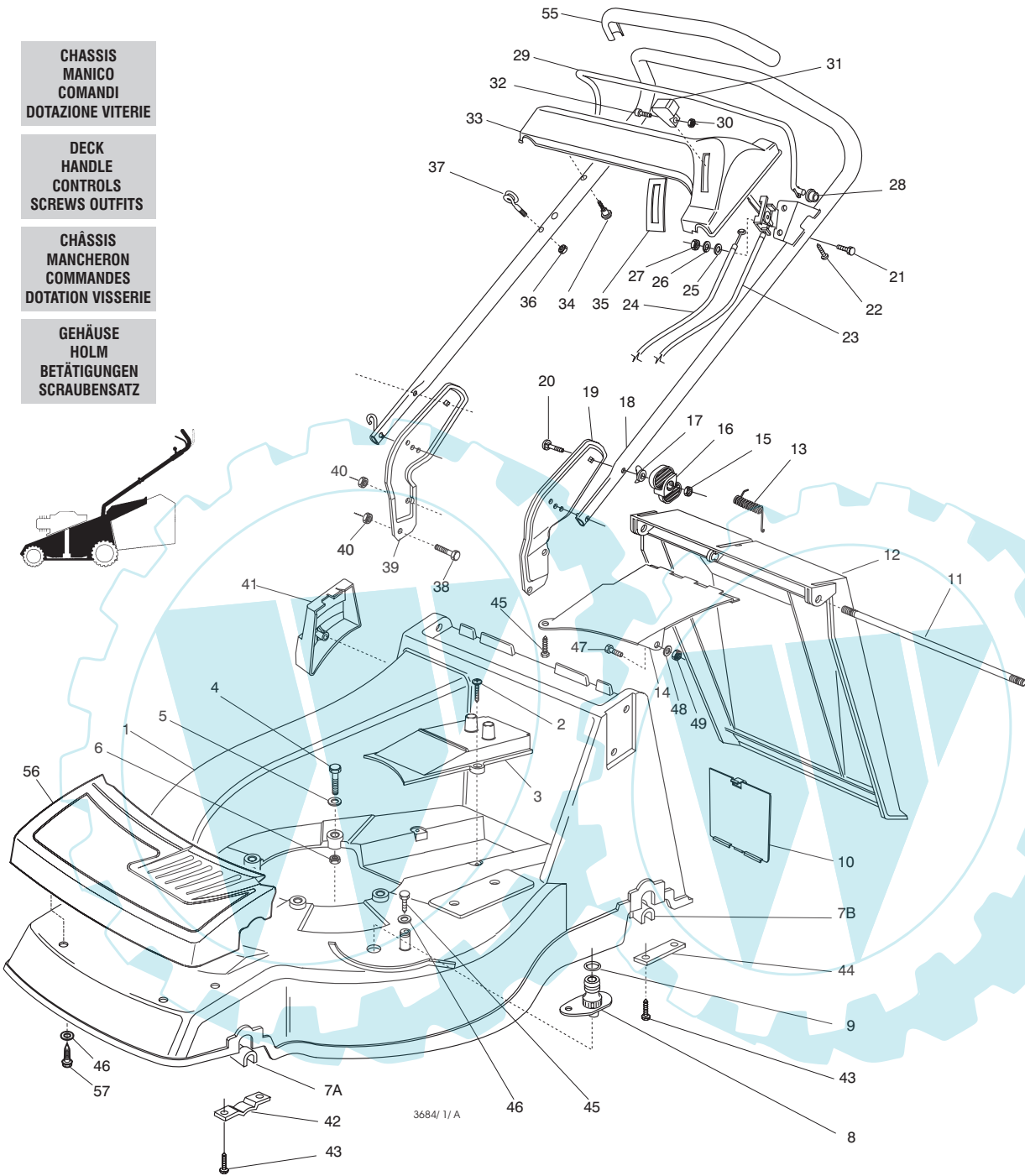
NP 534

**CHASSIS
MANICO
COMANDI
DOTAZIONE VITERIE**

**DECK
HANDLE
CONTROLS
SCREWS OUTFITS**

**CHÂSSIS
MANCHERON
COMMANDES
DOTATION VISSERIE**

**GEHÄUSE
HOLM
BETÄTIGUNGEN
SCRAUBENSATZ**



SPARE PARTS CATALOGUE

ERSATZTEILKATALOG

GB

D

**CATALOGO DELLE PARTI
DI RICAMBIO**

**CATALOGUE DES PIÈCES
DE RECHANGE**

I

F

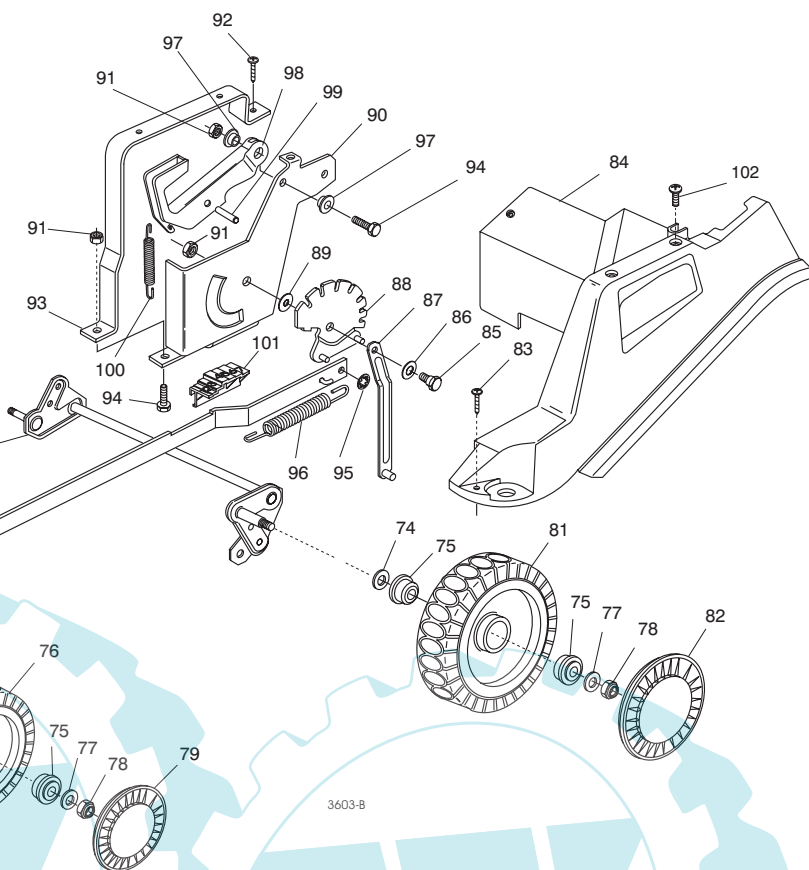
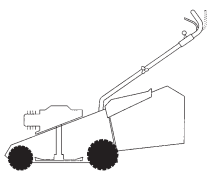
T-3684/1/A

| Pos. Nr. | Codice Code Kodex | Q.tà Q.ty-Q.tè Menge | Descrizione | Description | Description | Beschreibung |
|----------|-------------------|----------------------|--------------------------------|---------------------------------|----------------------------|----------------------------------|
| 1 | | | CHASSIS | DECK | CHÂSSIS | GEHÄUSE |
| — | 81001652/0 | 1 | ROSSO | RED | ROUGE | ROTES |
| — | 81001654/0 | 1 | GIALLO | YELLOW | JAUNE | GELBES |
| — | 81001656/0 | 1 | VERDE | GREEN | VERT | GRÜNES |
| — | 81001843/0 | 1 | ROSSO CON FORI PER MASCHERINA | RED WITH HOLES FOR HALF-MASK | ROUGE AVEC TROUS POUR LOUP | ROT MIT LOCHEN FÜR KLEINE MASKE |
| — | 81001844/0 | 1 | GIALLO CON FORI PER MASCHERINA | YELLOW WITH HOLES FOR HALF-MASK | JAUNE AVEC TROUS POUR LOUP | GELB MIT LOCHEN FÜR KLEINE MASKE |
| — | 81001845/0 | 1 | VERDE CON FORI PER MASCHERINA | GREEN WITH HOLES FOR HALF-MASK | ROUGE AVEC TROUS POUR LOUP | GRÜN MIT LOCHEN FÜR KLEINE MASKE |
| 2 | 12728522/0 | 2 | VITE | SCREW | VIS | SCHRAUBE |
| 3 | 22060181/1 | 1 | CARTER CINGHIA | BELT PROTECTION | PROTECTION COURROIRE | RIEMENSCHUTZ |
| 4 | 12691800/0 | 3/2 | VITE | SCREW | VIS | SCHRAUBE |
| — | 12692080/0 | 0/1 | VITE | SCREW | VIS | SCHRAUBE |
| 5 | 12521350/0 | 3 | RONDELLA | WASHER | RONDELLE | SCHEIBE |
| 6 | 12155000/0 | 3 | DADO | NUT | ECROU | MUTTER |
| 7A | 22038400/1 | 2 | BRONZINA | BUSH | DOUILLE | BUCHSE |
| 7B | 22038399/0 | 2 | BRONZINA | BUSH | DOUILLE | BUCHSE |
| 8 | 22034000/0 | 1 | ATTACCO ACQUA LAVAGGIO | WASHING CONNECTION | ATTAQUE LAVAGE | WASCHENVERBINDUNG |

| Pos. Nr. | Codice Code Kodex | Q.tà Q.ty-Q.tè Menge | Descrizione | Description | Description | Beschreibung |
|----------|-------------------|----------------------|----------------------------|----------------------------|----------------------------|---------------------------|
| 9 | 19035000/0 | 1 | ANELLO OR | OR RING | BAGUE OR | RING OR |
| 10 | 22595352/0 | 1 | PORTINA CHIUSURA | ISPECTION DOOR | VOYANT DE VISITE | ABDECKPLATTE |
| 11 | 22517856/0 | 1 | PERNO | PIN | PIVOT | BOLZEN |
| 12 | 22600023/2 | 1 | PARASASSI | STONE-GUARD | PARE-PIERRES | PRALLBLECH |
| 13 | 22450270/0 | 1 | MOLLA | SPRING | RESSORT | FEDER |
| 14 | 22108205/0 | 1 | CONVOGLIATORE | CONVEYOR | CONVOYEUR | KONVEYOR |
| 15 | 12293200/0 | 2 | DADO | NUT | ECROU | MUTTER |
| 16 | 22399803/0 | 2 | MANOPOLINA | KNOB | POIGNÉE | GRIFF |
| 17 | 22680006/1 | 2 | RONDELLA | WASHER | RONDELLE | SCHEIBE |
| 18 | 81007022/0 | 1 | MANICO | HANDLE | MANCHERON | HOLM |
| 19 | 22778397/0 | 1 | STAFFA SX | LEFT BRACKET | BRIDE GAUCHE | LINKE PRATZE |
| 20 | 12819120/0 | 2 | VITE | SCREW | VIS | SCHRAUBE |
| 21 | 12788910/0 | 2 | VITE | SCREW | VIS | SCHRAUBE |
| 22 | 12728460/0 | 1 | VITE | SCREW | VIS | SCHRAUBE |
| 23 | 81007091/0 | 1 | ACCELERATORE (B&S) | TROTTLER (B&S) | ACCELERATEUR (B&S) | BESCHLEUNIGER (B&S) |
| — | 81007092/0 | 1 | (TECUMSEH-HONDA) | (TECUMSEH-HONDA) | (TECUMSEH-HONDA) | (TECUMSEH-HONDA) |
| 24 | 81000628/0 | 1 | CAVO FRENO MOTORE (HONDA) | THREAD MOTOR BRAKE (HONDA) | CABLE FREIN MOTEUR (HONDA) | MOTORBREMSEKABEL (HONDA) |
| — | 81000629/1 | 1 | (TECUMSEH) | (TECUMSEH) | (TECUMSEH) | (TECUMSEH) |
| — | 81000634/0 | 1 | (B&S) | (B&S) | (B&S) | (B&S) |
| 25 | 12523020/0 | 2 | RONDELLA | WASHER | RONDELLE | SCHEIBE |
| 26 | 12581500/0 | 2 | RONDELLA | WASHER | RONDELLE | SCHEIBE |
| 27 | 12291000/0 | 2 | DADO | NUT | ECROU | MUTTER |
| 28 | 22041966/0 | 2 | BUSSOLA | BUSH | DOUILLE | BUCHSE |
| 29 | 81003291/2 | 1 | LEVA | LEVER | LEVIER | HEBEL |
| 30 | 12290800/0 | 1 | DADO | NUT | ECROU | MUTTER |
| 31 | 22399801/0 | 1 | MANOPOLINA | KNOB | POIGNÉE | GRIFF |
| 32 | 12726388/0 | 1 | VITE | SCREW | VIS | SCHRAUBE |
| 33 | 22120150/0 | 1 | CRUSCOTTO ROSSO | DASH-BOARD RED | CONSOLE ROUGE | KONSOLE ROTE |
| — | 22120148/0 | 1 | GIALLO | YELLOW | JAUNE | GELBE |
| — | 22120164/0 | 1 | NERO | BLACK | NOIRE | SCHWARZE |
| 34 | 22943006/0 | 1 | VITE | SCREW | VIS | SCHRAUBE |
| 35 | 14356692/0 | 1 | ETICHETTA (TECUMSEN-HONDA) | LABEL (TECUMSEN-HONDA) | ETIQUETTE (TECUMSEN-HONDA) | ETIKETTE (TECUMSEN-HONDA) |
| — | 14356693/0 | 1 | (B&S) | (B&S) | (B&S) | (B&S) |
| 36 | 12154330/0 | 1 | DADO | NUT | ECROU | MUTTER |
| 37 | 22430309/0 | 1 | MOLLA GUIDA | SPRING | RESSORT | FEDER |
| 38 | 12793301/0 | 1 | VITE | SCREW | VIS | SCHRAUBE |
| 39 | 22778396/0 | 2 | STAFFA DX | RIGHT BRACKET | BRIDE DROITE | RECHTE PRATZE |
| 40 | 12155000/0 | 1 | DADO | NUT | ECROU | MUTTER |
| 41 | 22601001/0 | 4 | PROTEZIONE | PROTECTION | PROTECTION | SCHUTZ |
| 42 | 22545156/0 | 1 | PIASTRINA | PLATE | PLAQUETTE | PLATTE |
| 43 | 12731350/0 | 2 | VITE | SCREW | VIS | SCHRAUBE |
| 44 | 22545142/0 | 8 | PIASTRINA | PLATE | PLAQUETTE | PLATTE |
| 45 | 12729600/0 | 2 | VITE | SCREW | VIS | SCHRAUBE |
| 46 | 12523040/0 | 6 | RONDELLA | WASHER | RONDELLE | SCHEIBE |
| 47 | 12789000/0 | 1 | VITE | SCREW | VIS | SCHRAUBE |
| 48 | 12523020/0 | 2 | RONDELLA | WASHER | RONDELLE | SCHEIBE |
| 49 | 12154330/0 | 1 | DADO | NUT | ECROU | MUTTER |
| 55 | 22291050/0 | 1 | IMPUGNATURA MANICO NERA | HANDGRIP BLACK | POIGNÉE NOIRE | HANDGRIFF SCHWARZER |
| — | 22291051/0 | 1 | ROSSA | RED | ROUGE | RÖTER |
| — | 22291052/0 | 1 | GIALLA | YELLOW | JAUNE | HANDGRIFF |
| 56 | 22226050/0 | 1 | MASCHERINA | MASK | MESQUE | MASKE |
| 57 | 12735402/0 | 4 | VITE | SCREW | VIS | SCHRAUBE |

| Pos. Nr. | Codice Code Kodex | Q.tà Q.ty-Q.tè Menge | Descrizione | Description | Description | Beschreibung |
|----------|-------------------|----------------------|-------------|-------------|-------------|--------------|
|----------|-------------------|----------------------|-------------|-------------|-------------|--------------|

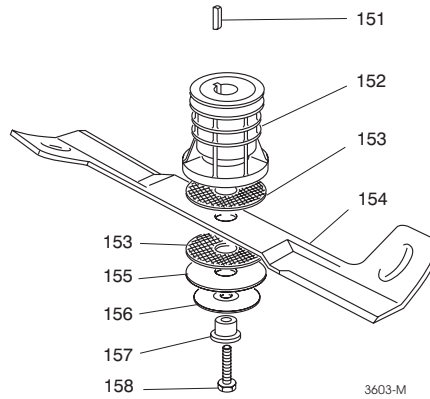
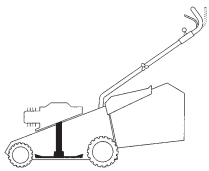
RUOTE E REGOLAZIONE
WHEELS AND HEIGHT ADJUSTING
ROUES ET REGLAGE HAUTER DE COUPE
RÄDER UND SCHNITTHÖHEVERSTELLUNG



| | | | | | | | |
|-----------|-------------|-------------|------------------------|----------------------|----------------------|--------------------------|--------------------------|
| T-3683/ F | 71 | 81002801/ 0 | 1 | ASSE RUOTE ANTERIORI | FRONT WHEELS AXLE | AXE ROUES AVANT | VORDERRADACHSE |
| | 72 | 12000930/ 0 | 2 | ANELLO ELASTICO | ELASTIC RING | ANNEAU ELASTIQUE | ELASTISCHER RING |
| | 73 | | | ASTA | ROD | TIGE | STELLSTAB |
| | — | 81001134/ 0 | 1 | ASTA COMANDO | ADJUSTMENT ROD | TIGE COMMANDE | STELLSTAB |
| | — | 81001136/ 0 | 1 | (HONDA GCV 135/ 160) | (HONDA GCV 135/ 160) | (HONDA GCV 135/ 160) | (HONDA GCV 135/ 160) |
| | 74 | 12530150/ 0 | 4 | RONDELLA ELASTICA | ELASTIC WASHER | RONDELLE ELASTIQUE | ELASTISCHE SCHEIBE |
| | 75 | 22122200/ 0 | 8 | CUSCINETTO | BEARING | COUSSINET | KUGELLAGER |
| | 76 | 81007317/ 0 | 2 | RUOTA SCOLPITA Ø 170 | KNOBBLY WHEEL Ø 170 | ROUE SCULPTEE Ø 170 | RAD. M. STOLLENPR. Ø 170 |
| | 77 | 12521350/ 0 | 4 | RONDELLA | WASHER | RONDELLE | SCHEIBE |
| | 78 | 12155000/ 0 | 4 | DADO | NUT | ECROU | MUTTER |
| 79 | | | | COPRIMOZZO | HUB CAP | COUVRE-MOYEURADKAPPE | |
| — | 22110282/ 0 | 2 | BIANCO | WHITE | BLANC | WEIßE | |
| — | 22110288/ 0 | 2 | GIALLO | YELLOW | JAUNE | GELBE | |
| — | 22110290/ 0 | 2 | ROSSO | RED | ROUGE | ROTE | |
| 80 | 81002804/ 1 | 1 | ASSE RUOTE POSTERIORI | REAR WHEELS AXLE | AXE ROUES ARRIERE | HINTERRADACHSE | |
| 81 | 81007318/ 1 | 2 | RUOTA SCOLPITA Ø 210 | KNOBBLY WHEEL Ø 210 | ROUE SCULPTEE Ø 210 | RAD. M. STOLLENPR. Ø 210 | |
| 82 | | | | COPRIMOZZO | HUB CAP | COUVRE-MOYEURADKAPPE | |
| — | 22110281/ 0 | 2 | BIANCO | WHITE | BLANC | WEIßE | |
| — | 22110287/ 0 | 2 | GIALLO | YELLOW P | JAUNE | GELBE | |
| — | 22110289/ 0 | 2 | ROSSO | RED | ROUGE | ROTE | |
| 83 | 12728519/ 0 | 3 | VITE | SCREW | VIS | SCHRAUBE | |
| 84 | 22060144/ 0 | 1 | CARTER REGOLAZIONE | ADJUSTMENT DECK | CHÂSSIS REGLAGE | VERSTELLUNGSGEHÄUSE | |
| 85 | 22529662/ 0 | 1 | PERNO FULCRO | FULCRUM PIN | PIVOT | BOLZEN | |
| 86 | 22672151/ 0 | 1 | RONDELLA | WASHER | RONDELLE | SCHEIBE | |
| 87 | 81001269/ 0 | 1 | ASTA ASSE POSTERIORE | ROD REAR AXLE | BARRE AXE POSTERIEUR | HINTERACHSESTAB | |
| 88 | 81000479/ 0 | 1 | SETTORE DI REGOLAZIONE | ADJUSTMENT SECTOR | SECTEUR REGLAGE | VERSTELLUNGSEKTOR | |
| 89 | 22672152/ 0 | 1 | RONDELLA | WASHER | RONDELLE | SCHEIBE | |
| 90 | 22785109/ 0 | 1 | SUPPORTO REGOLAZIONE | ADJUSTMENT SUPPORT | SUPPORT REGLAGE | VERSTELLUNGHALTER | |
| 91 | 12293201/ 0 | 4 | DADO | NUT | ECROU | MUTTER | |
| 92 | 12729600/ 0 | 1 | VITE | SCREW | VIS | SCHRAUBE | |
| 93 | 22785113/ 0 | 1 | SUPPORTO MANIGLIA | HANDLE SUPPORT | SUPPORT POIGNÉE | GRIFFHALTER | |
| 94 | 12793301/ 0 | 3 | VITE | SCREW | VIS | SCHRAUBE | |
| 95 | 12604899/ 0 | 2 | ANELLO ELASTICO | ELASTIC RING | ANNEAU ELASTIQUE | ELASTISCHER RING | |
| 96 | 22446180/ 0 | 1 | MOLLA | SPRING | RESSORT | FEDER | |
| 97 | 25038002/ 0 | 2 | BUSSOLA | BUSH | DOUILLE | BUCHSE | |
| 98 | 22393611/ 1 | 1 | MANIGLIA | HANDLE | POIGNÉE | GRIFF | |
| 99 | 12622640/ 0 | 1 | SPINA | PIN | GOUPILLE | STIFT | |
| 100 | 22446175/ 0 | 1 | MOLLA | SPRING | RESSORT | FEDER | |
| 101 | 22570200/ 0 | 1 | PLACCHETTA POSIZIONI | POSITION PLATE | PLAQUETTE REGLAGE | VERSTELLUNGPLATTE | |
| 102 | 12728520/ 0 | 1 | VITE | SCREW | VIS | SCHRAUBE | |

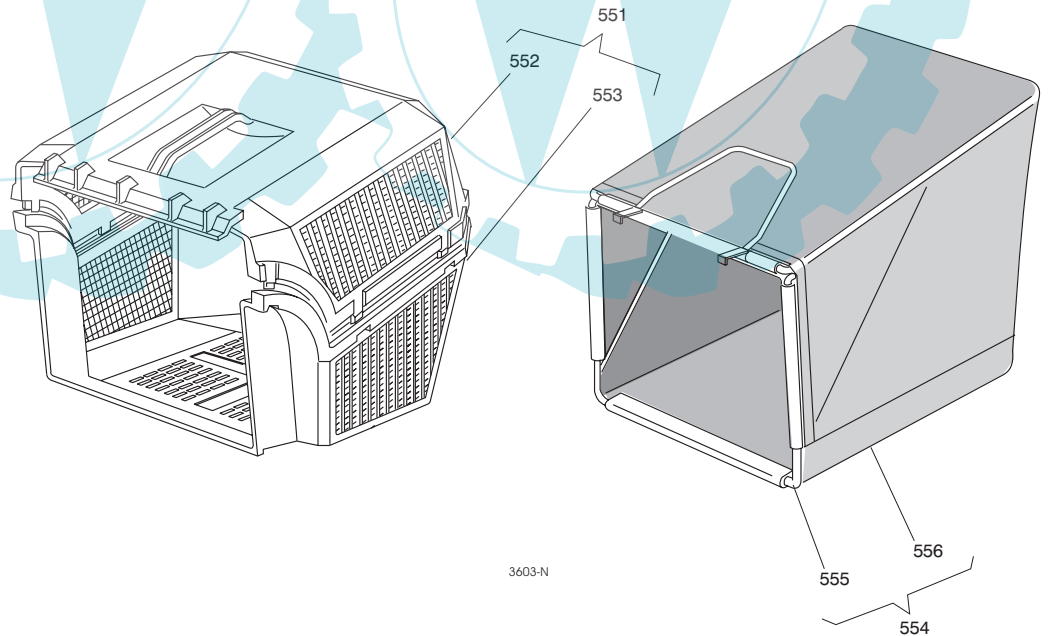
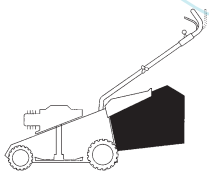
| Pos. Nr. | Codice Code Kodex | Q.tà Q.ty-Q.tè Menge | Descrizione | Description | Description | Beschreibung |
|----------|-------------------|----------------------|-------------|-------------|-------------|--------------|
|----------|-------------------|----------------------|-------------|-------------|-------------|--------------|

- GRUPPO COLTELLO
- BLADE ASS.Y
- GROUPE LAME
- MESSERSATZ



| | | | | | | | |
|-----------|-----|-------------|---|-------------------|---------------|-------------------|------------------|
| T-3643/ M | 151 | 12139100/ 0 | 1 | LINGUETTA | FEATHER | CLAVETTE | KEIL |
| | 152 | 22465611/ 0 | 1 | MOZZO | HUB | MOYEU | NABE |
| | 153 | 22672110/ 1 | 2 | RONDELLA FRIZIONE | CLUTCH WASHER | RONDELLE FRICTION | KUPPLUNGSSCHEIBE |
| | 154 | 81004398/ 0 | 1 | COLTELLO | BLADE | LAME | MESSER |
| | 155 | 12508120/ 0 | 1 | MOLLA A TAZZA | CUPPED SPRING | RESSORT | TELLER FEDER |
| | 156 | 22672105/ 0 | 1 | RONDELLA | WASCHER | RONDELLE | SCHEIBE |
| | 157 | 22041940/ 0 | 1 | BUSSOLA FRIZIONE | CLUTCH BUSH | DOUILLE FRICTION | KUPPLUNGSSCHEIBE |
| | 158 | 12736850/ 0 | 1 | VITE | SCREW | VIS | SCHRAUBE |

- SACCO RACCOGLIERBA
- GRASS-CATCHER
- BAC DE RAMASSAGE
- GRASFANGKORB



| | | | | | | | |
|-----------|-----|-------------|---|---------------------|----------------------|-----------------------|-----------------|
| T-3640/ N | 551 | 96500000/ 0 | 1 | SACCO COMPLETO | COMPLETE GRASS-BOX | BAC COMPLETE | KOMPLETER KORB |
| | 552 | 22486065/ 0 | 1 | PORTE SUPER. SACCO | UPPER GRASS-BOX | PORTE SUPERIEURE SAC | OBBERKORB |
| | 553 | 22486064/ 0 | 1 | PORTE INFER. SACCO | LOWER GRASS-BOX | PORTE INFERIEURE SAC | UNTERKORB |
| | 554 | 96400000/ 0 | 1 | ASS. SACCO TELA | CANVASS GRASSCATCHER | ENSEMBLE SAC EN TOILE | KOMPLETTER SACK |
| | | | | | ASS.Y | | |
| | | | | | | | |
| | 555 | 81006430/ 0 | 1 | TELAIO | CHASSIS | CHASSIS | RAHMEN |
| | 556 | 81002124/ 0 | 1 | TELA SACCO | FABRIC BOX | TOILE POUR SAC | TUCK FÜR SACK |
| | — | 81008610/ 0 | 1 | DOTAZIONE VITERIA | SCREWS OUTFIT | DOTATION VISSERIE | SCHRAUBEN SATZ |
| | — | 81008499/ 1 | 1 | DOTAZIONE CRUSCOTTO | DASH-BOARD OUTFIT | DOTATION CONSOLE | KONSOLE SATZ |